



US00D612559S

(12) **United States Design Patent**  
**Mizoguchi**

(10) **Patent No.:** **US D612,559 S**  
(45) **Date of Patent:** **\*\* Mar. 23, 2010**

- (54) **CASE FOR STEAM IRON**
- (75) Inventor: **Yuko Mizoguchi**, Kadoma (JP)
- (73) Assignee: **Panasonic Corporation**, Kadoma-shi (JP)
- (\*\*) Term: **14 Years**
- (21) Appl. No.: **29/283,323**
- (22) Filed: **Aug. 10, 2007**
- (30) **Foreign Application Priority Data**  
Mar. 1, 2007 (JP) ..... 2007-005222

JP	D1061069 S	2/2000
JP	D1076327 S	6/2000
JP	D1094865 S	12/2000
JP	D1158570 S	11/2002
JP	D1222075 S	11/2004
JP	D1231817 S	3/2005

\* cited by examiner

*Primary Examiner*—Rosemary K Tarcza

(74) *Attorney, Agent, or Firm*—Christensen O'Connor Johnson Kindness PLLC

(57) **CLAIM**

The ornamental design for a case for steam iron, as shown and described.

**DESCRIPTION**

FIG. 1 is a perspective view of the top, front and left side of a case for steam iron showing my new design;

FIG. 2 is a front view thereof;

FIG. 3 is a rear view thereof;

FIG. 4 is a top plan view thereof;

FIG. 5 is a bottom view thereof;

FIG. 6 is a left side view thereof;

FIG. 7 is a right side view thereof;

FIG. 8 is a perspective view in the separated condition showing the transparent part thereof; and,

FIG. 9 is a cross sectional view thereof, taken along line 9—9 of FIG. 2, and is provided to clarify the exact contour of the exterior surface of the claimed design, and not to illustrate features of internal construction.

- (51) **LOC (9) Cl.** ..... **07-05**
- (52) **U.S. Cl.** ..... **D32/73**
- (58) **Field of Classification Search** ..... D32/1, D32/17, 25, 35, 68-73; 38/1 R, 2, 12, 15, 38/17, 69, 74-75, 77.1-77.9, 79, 81, 88, 38/90, 93-94, 96-97, 141; 219/243, 245-252, 219/259; D3/201, 273, 274, 280  
See application file for complete search history.

(56) **References Cited**

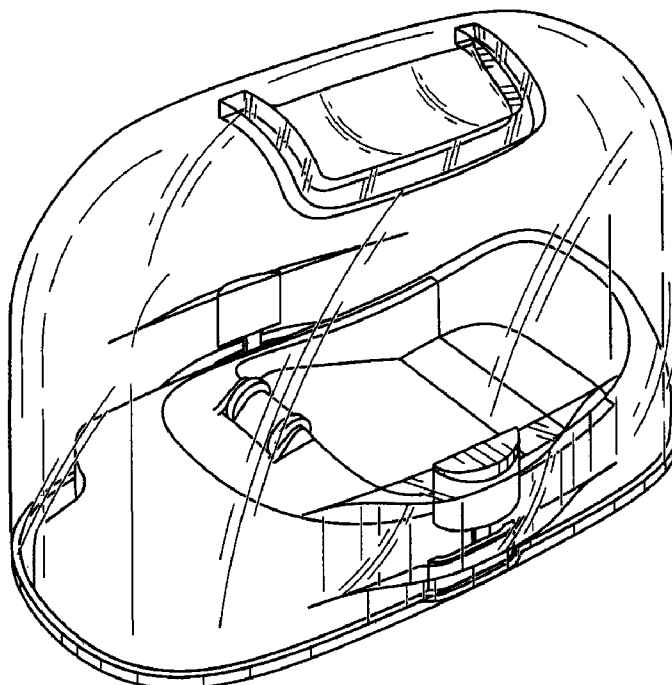
U.S. PATENT DOCUMENTS

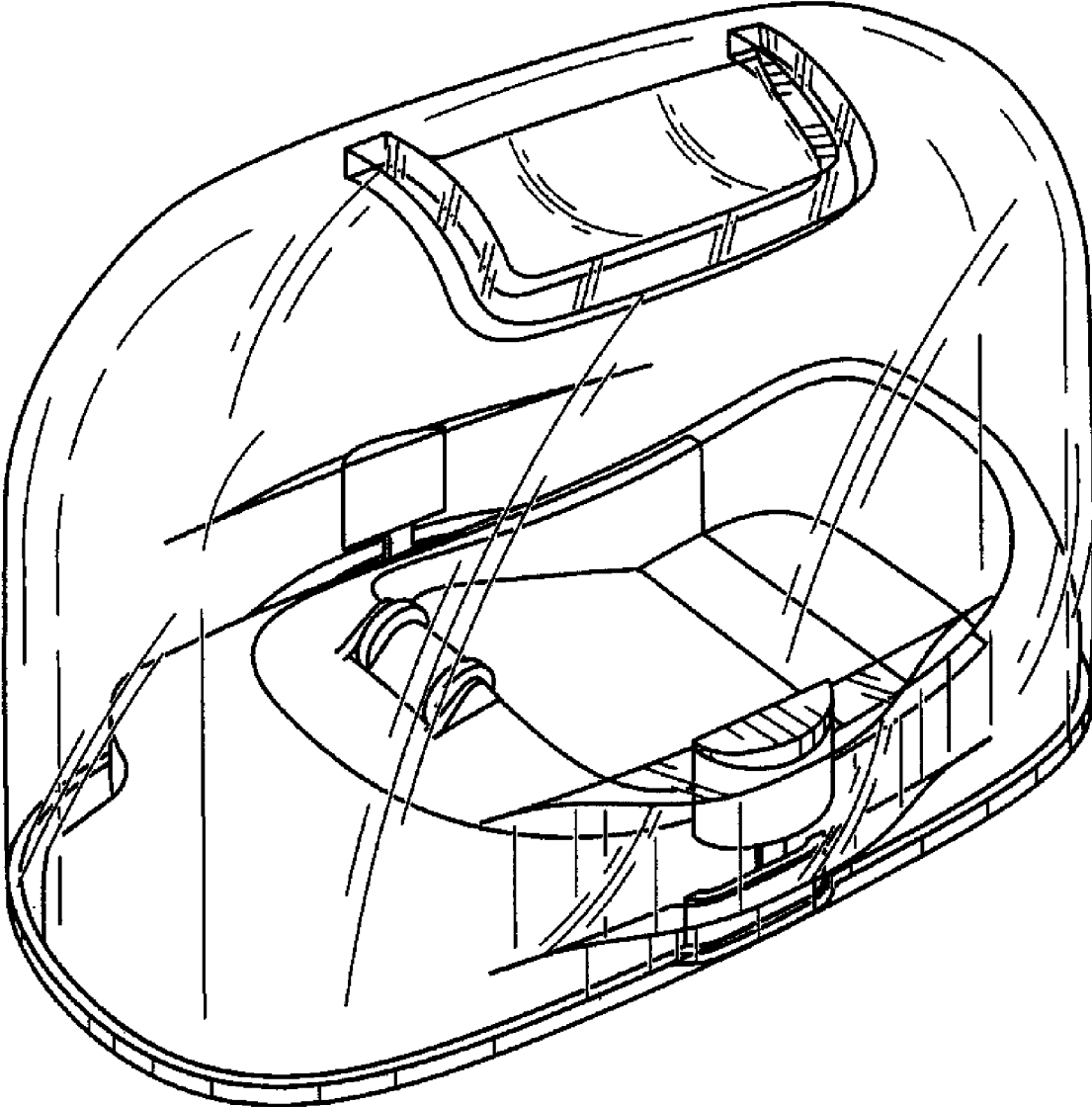
D131,942 S *	4/1942	Vike	.....	D32/73
D320,100 S *	9/1991	Giannelli	.....	D32/73
D360,723 S *	7/1995	Kasai et al.	.....	D32/73
D470,637 S *	2/2003	Berthier	.....	D32/73
7,086,186 B2 *	8/2006	Kobayashi et al.	.....	38/96

FOREIGN PATENT DOCUMENTS

JP 1050849 S 10/1999

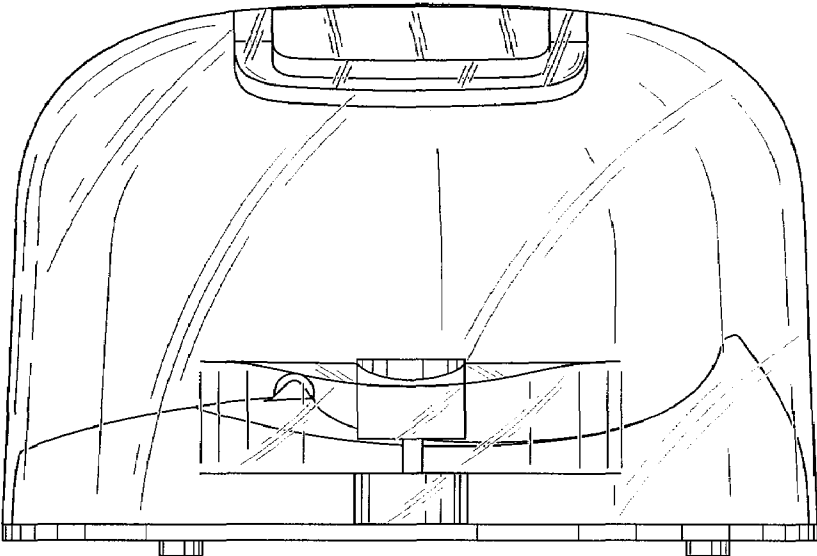
**1 Claim, 6 Drawing Sheets**





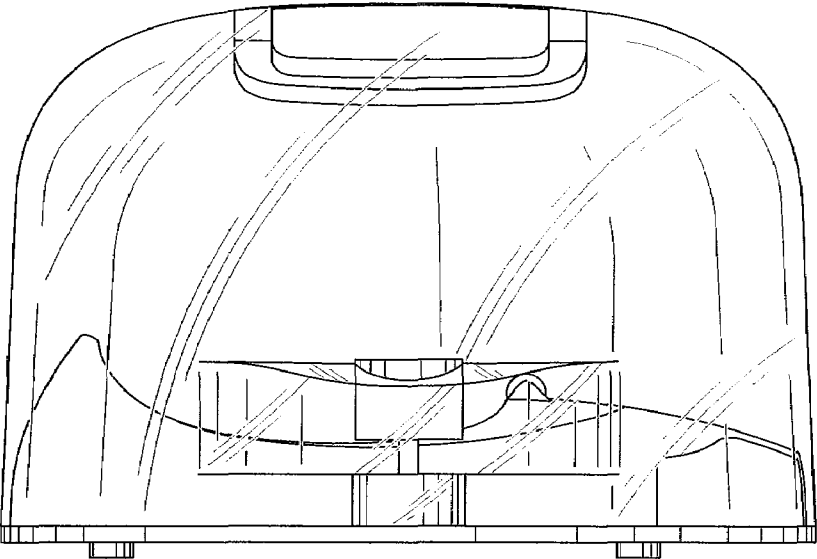
*Fig. 1.*

← 9

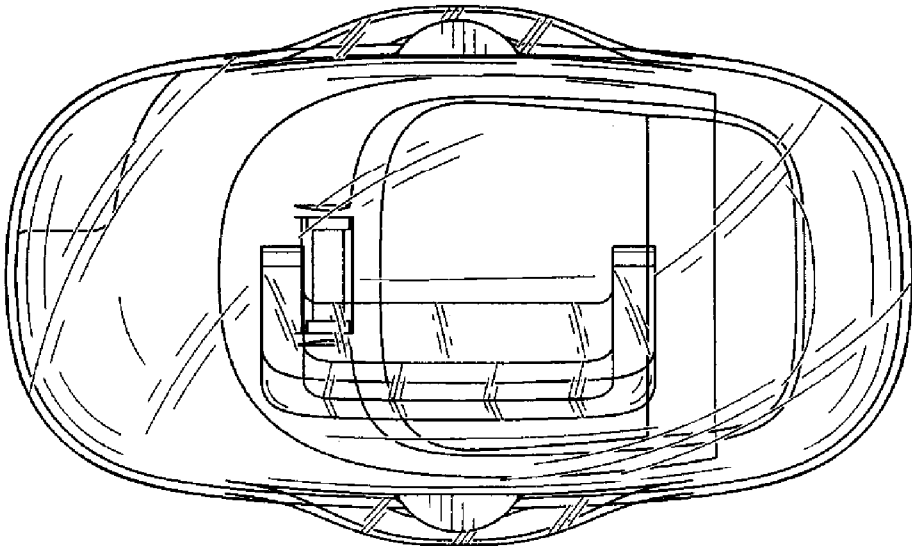


← 9

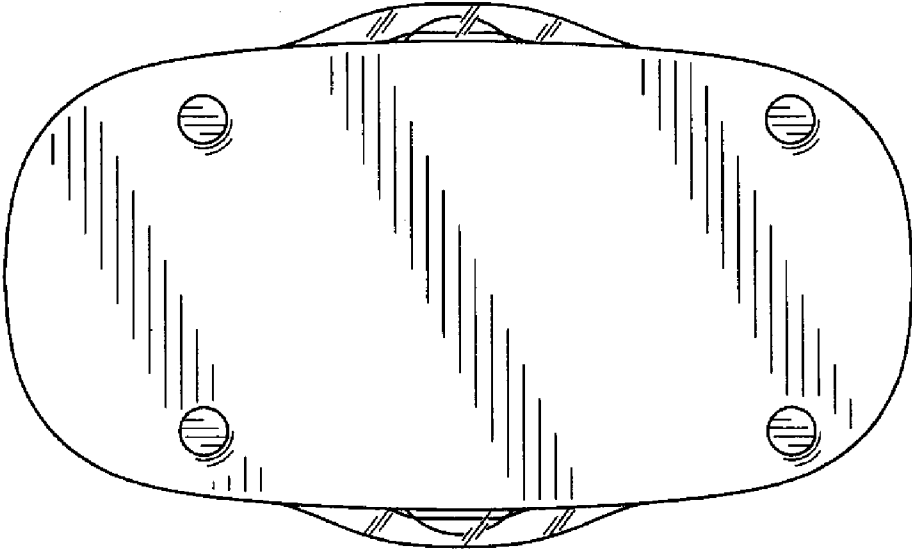
*Fig.2.*



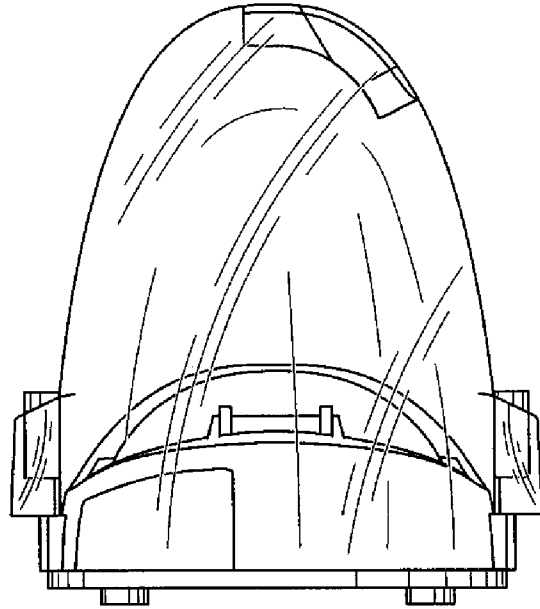
*Fig.3.*



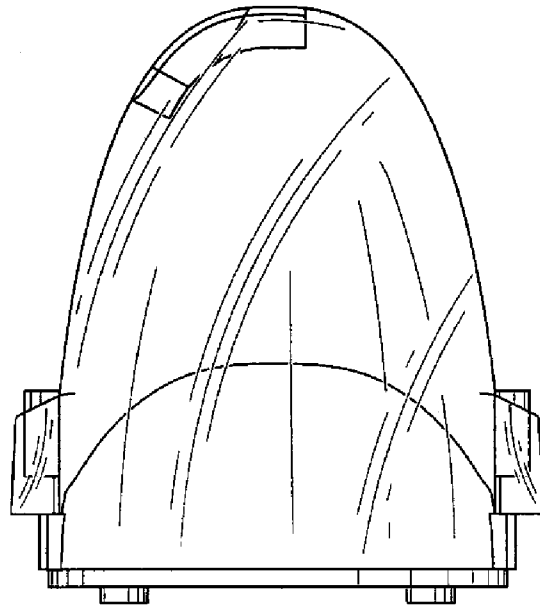
*Fig. 4.*



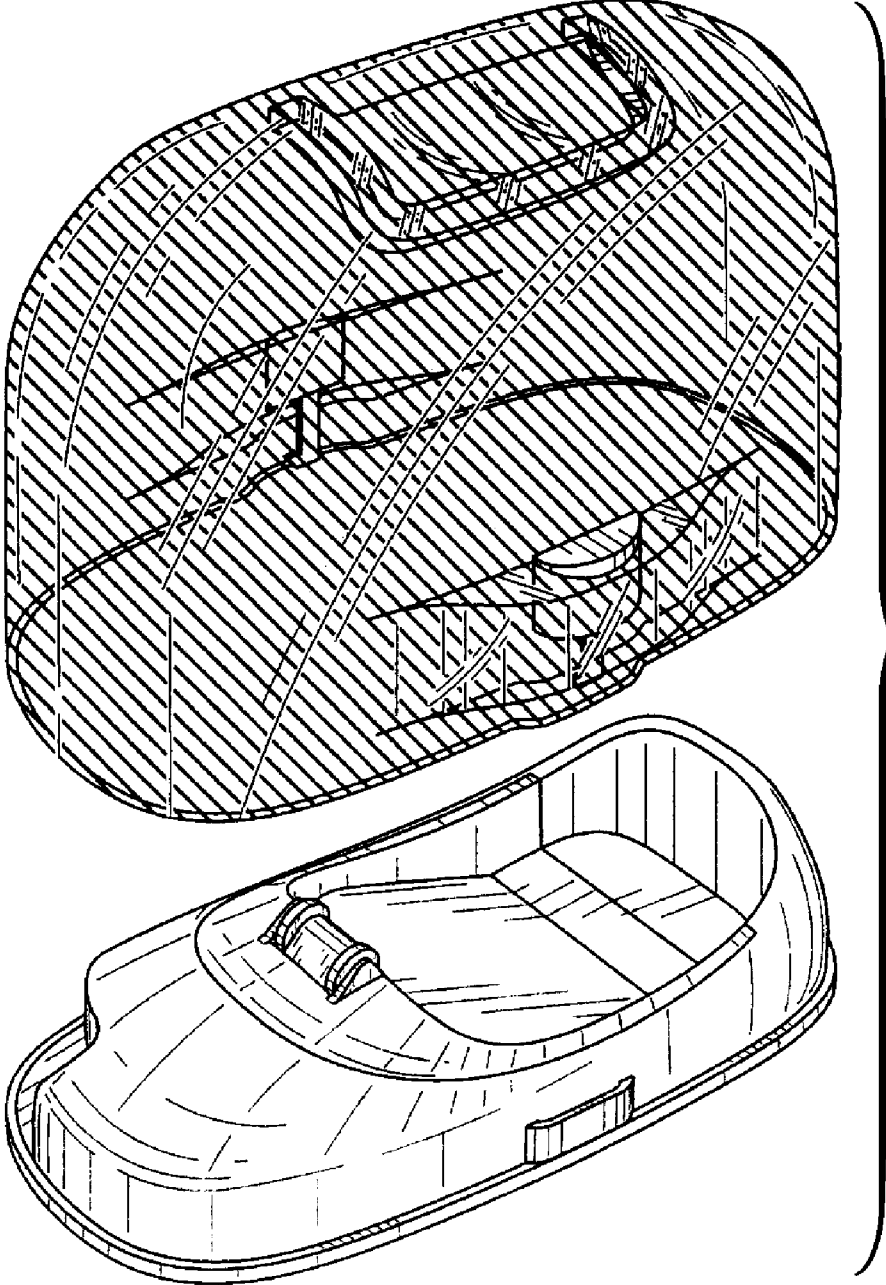
*Fig. 5.*



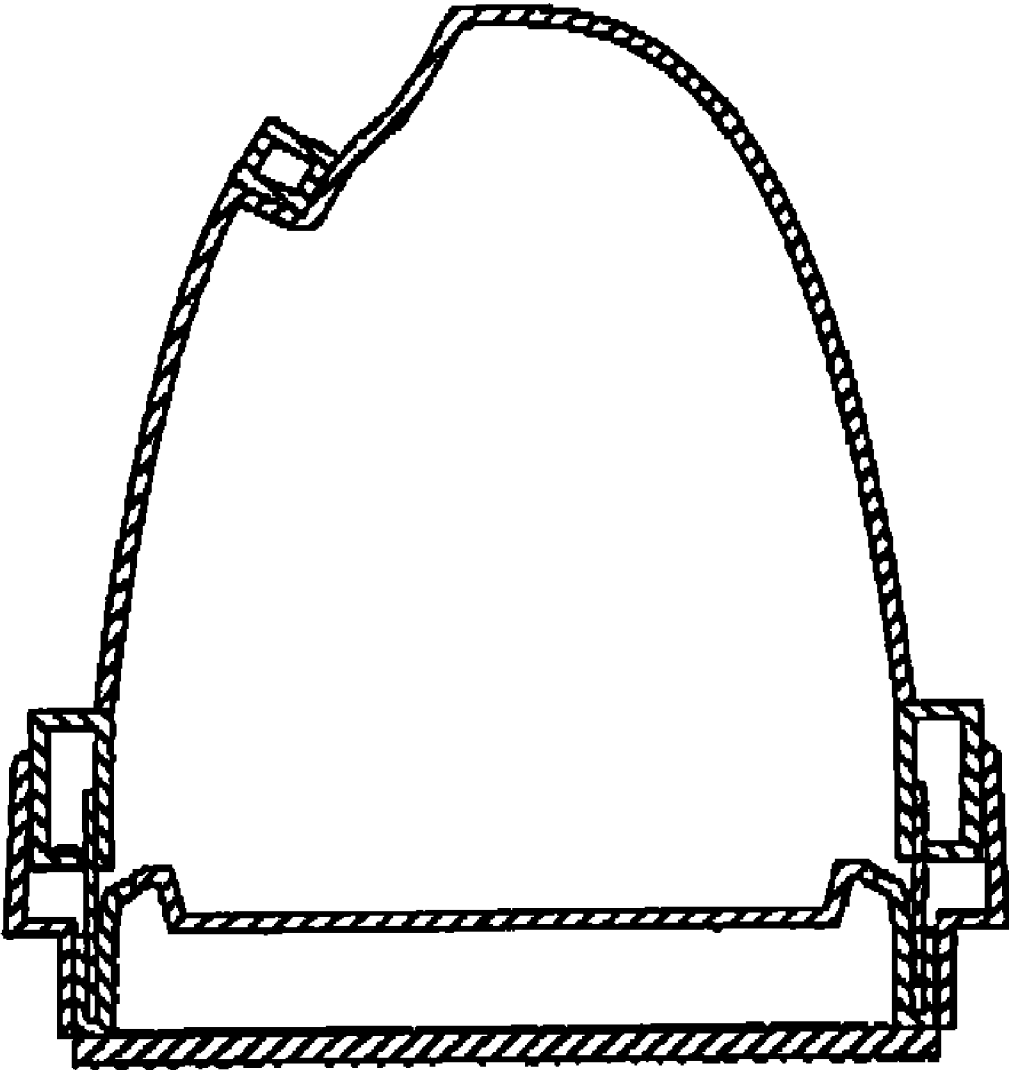
*Fig. 6.*



*Fig. 7.*



*Fig. 8.*



*Fig. 9.*