



US00D612805S

(12) **United States Design Patent**  
**Yasumoto et al.**

(10) **Patent No.:** **US D612,805 S**  
(45) **Date of Patent:** **\*\* Mar. 30, 2010**

(54) **SEPARATOR FOR FUEL CELL**

(75) Inventors: **Eiichi Yasumoto**, Kyoto (JP); **Hiroki Kusakabe**, Osaka (JP); **Hideo Ohara**, Osaka (JP)

(73) Assignee: **Panasonic Corporation**, Kadoma-shi (JP)

(\*\*) Term: **14 Years**

(21) Appl. No.: **29/328,244**

(22) Filed: **Nov. 20, 2008**

**Related U.S. Application Data**

(62) Division of application No. 29/217,510, filed on Nov. 17, 2004, now Pat. No. Des. 586,746.

(30) **Foreign Application Priority Data**

Jul. 1, 2004	(JP)	.....	2004-019828
Jul. 1, 2004	(JP)	.....	2004-019829
Jul. 1, 2004	(JP)	.....	2004-019830
Jul. 1, 2004	(JP)	.....	2004-019831

(51) **LOC (9) Cl.** ..... **13-01**

(52) **U.S. Cl.** ..... **D13/122**

(58) **Field of Classification Search** ..... D13/122,  
D13/101, 103, 118, 199; D6/300, 302, 310,  
D6/312; D8/350-353; D25/102, 113, 118,  
D25/136, 137; D26/72, 138, 142, 143, 144;  
40/124.191, 700, 743, 769; 52/287.1, 288.1;  
204/242, 254, 257; 429/14, 16, 19, 26, 34-39,  
429/40, 99, 100; 439/215, 216

See application file for complete search history.

(56) **References Cited**

**U.S. PATENT DOCUMENTS**

3,121,525 A 2/1964 Hayes

(Continued)

**FOREIGN PATENT DOCUMENTS**

JP 9-134734 A 5/1997

(Continued)

**OTHER PUBLICATIONS**

Notice of Allowance dated Mar. 23, 2009, issued in corresponding sister U.S. Appl. No. 29/328,247, filed Nov. 20, 2008.

*Primary Examiner*—Prabhakar Deshmukh

*Assistant Examiner*—Derrick Holland

(74) *Attorney, Agent, or Firm*—Christensen O'Connor Johnson Kindness PLLC

(57) **CLAIM**

The ornamental design for a separator for fuel cell, as shown and described.

**DESCRIPTION**

FIG. 1 is a perspective view of the top, front, and left side of a separator for fuel cell showing our new design;

FIG. 2 is a front view thereof;

FIG. 3 is a rear view thereof;

FIG. 4 is a left side view thereof;

FIG. 5 is a right side view thereof;

FIG. 6 is a top plan view thereof;

FIG. 7 is a bottom view thereof;

FIG. 8 is a partially enlarged view of the upper end portion of the left side view thereof;

FIG. 9 is a partially enlarged view of the lower end portion of the left side view thereof;

FIG. 10 is a partially enlarged view of upper left end portion of the front view thereof;

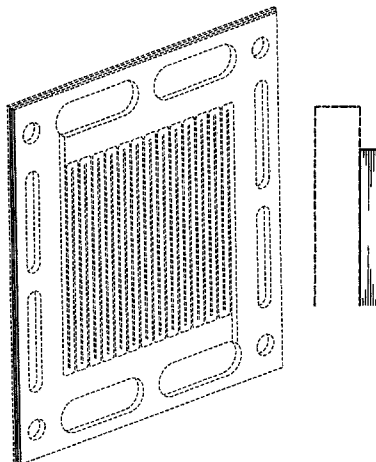
FIG. 11 is a partially enlarged view of the lower left end portion of the front view thereof;

FIG. 12 is a partially enlarged view of the left end portion of the top plan view thereof; and,

FIG. 13 is a partially enlarged view of the left end portion of the bottom view thereof.

The portions of the article in broken lines are shown for illustrative purposes only and form no part of the claimed design.

**1 Claim, 7 Drawing Sheets**



# US D612,805 S

Page 2

## U.S. PATENT DOCUMENTS

3,262,083 A 7/1966 Gooding  
4,002,493 A 1/1977 Warszawski  
D244,003 S \* 4/1977 Grieb ..... D8/350  
4,109,434 A 8/1978 Katzin  
4,214,969 A 7/1980 Lawrance  
4,895,774 A 1/1990 Ohzu  
D312,923 S \* 12/1990 Bleazard ..... D6/300  
5,045,413 A 9/1991 Marianowski  
D324,780 S \* 3/1992 Sebesta ..... D6/303  
5,108,849 A 4/1992 Watkins  
D367,717 S 3/1996 Prins  
D373,203 S 8/1996 Kornfalt  
5,563,003 A 10/1996 Suzuki  
5,776,624 A 7/1998 Neutzler  
5,798,187 A \* 8/1998 Wilson et al. .... 429/26

D414,976 S 10/1999 Su  
D431,524 S 10/2000 Sugita  
D432,495 S 10/2000 Sugita  
6,132,895 A \* 10/2000 Pratt et al. .... 429/39  
D438,988 S 3/2001 Dean, Jr.  
6,216,406 B1 4/2001 Hauser  
6,232,010 B1 \* 5/2001 Cisar et al. .... 429/40  
D453,880 S 2/2002 Cheynet  
D454,215 S 3/2002 Nelson  
6,379,795 B1 4/2002 Bisaria  
6,403,249 B1 6/2002 Reid  
6,607,857 B2 8/2003 Blunk

## FOREIGN PATENT DOCUMENTS

JP 2000-48849 A 2/2000

\* cited by examiner

FIG. 1

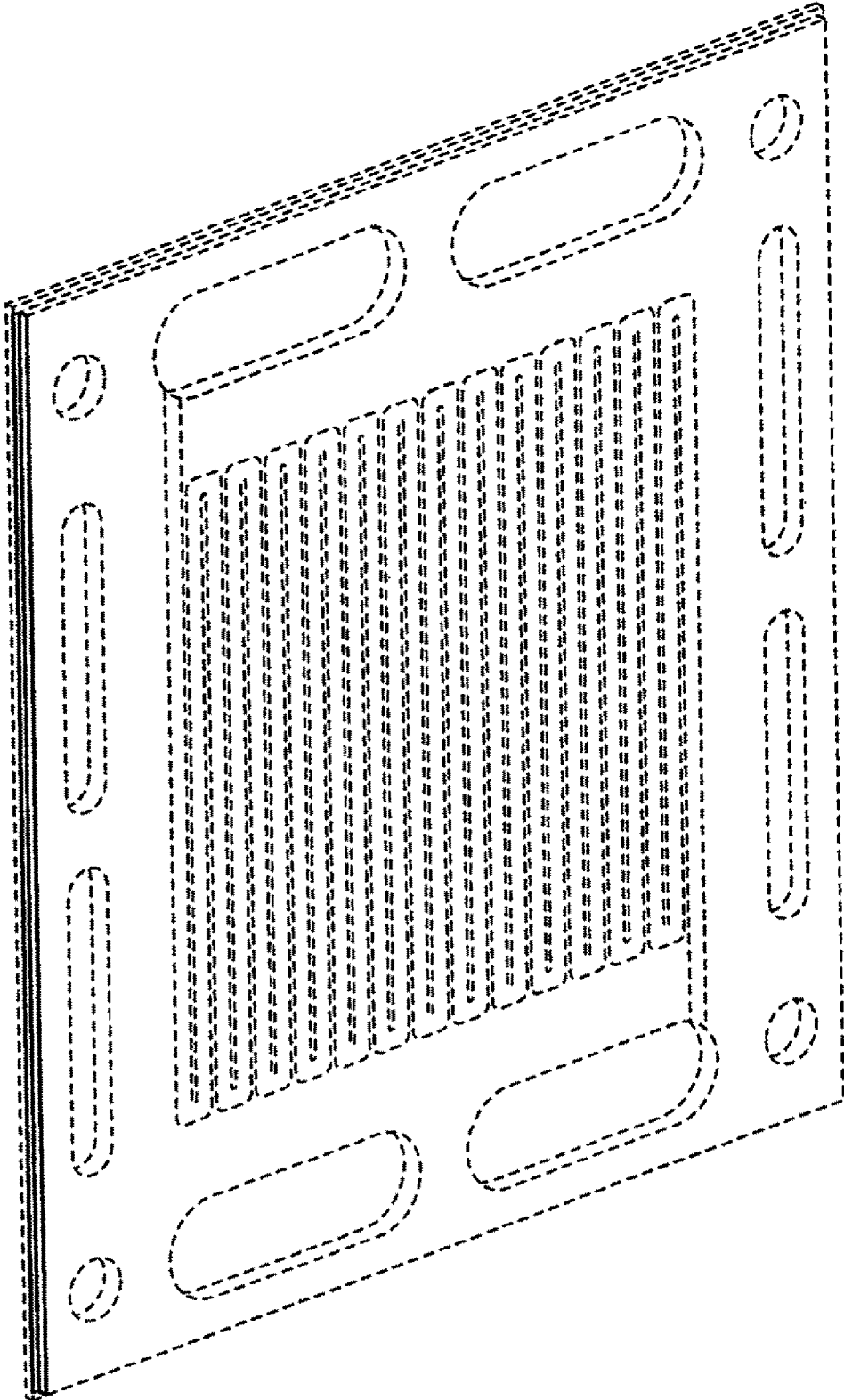


FIG. 2

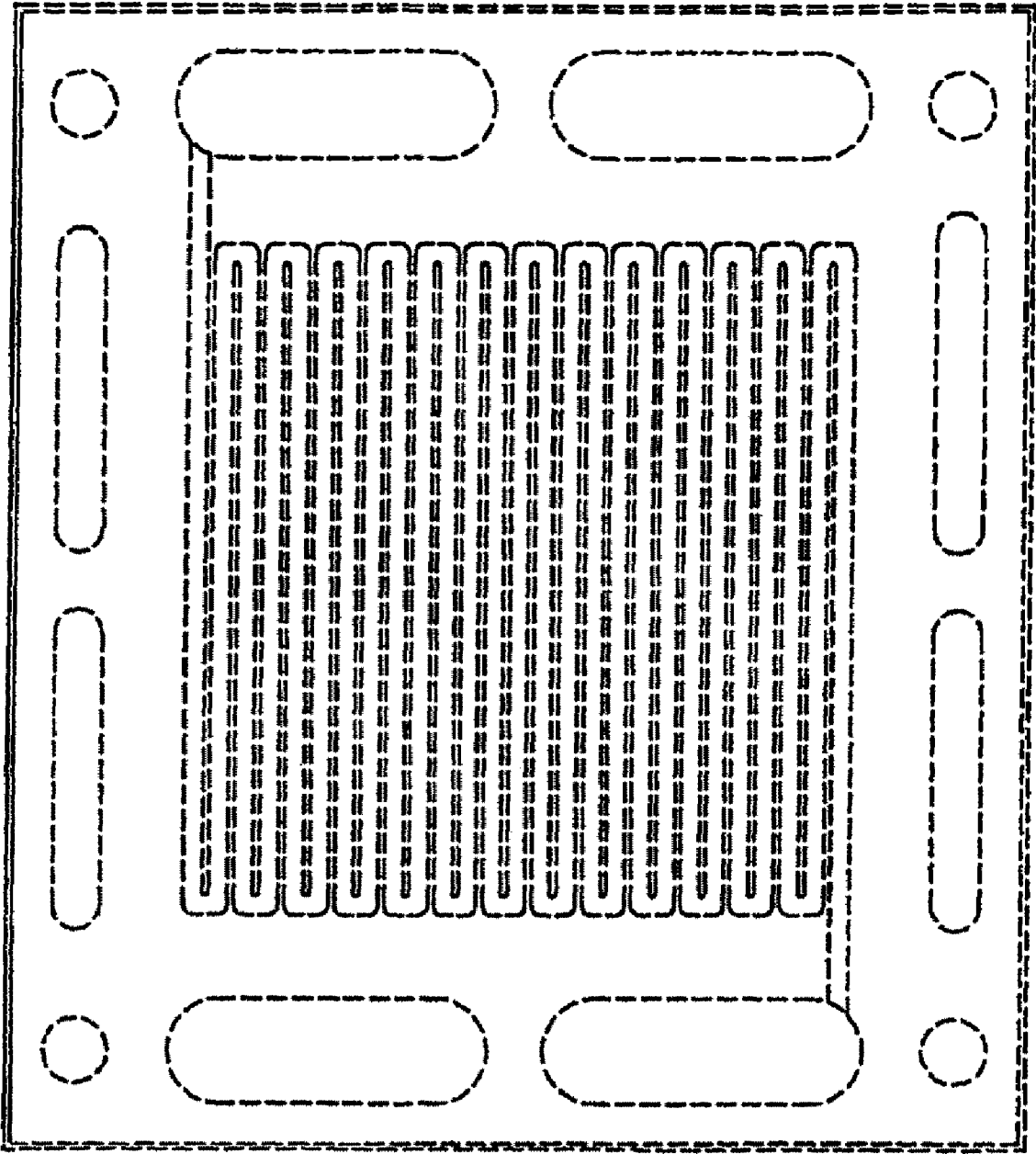


FIG. 3

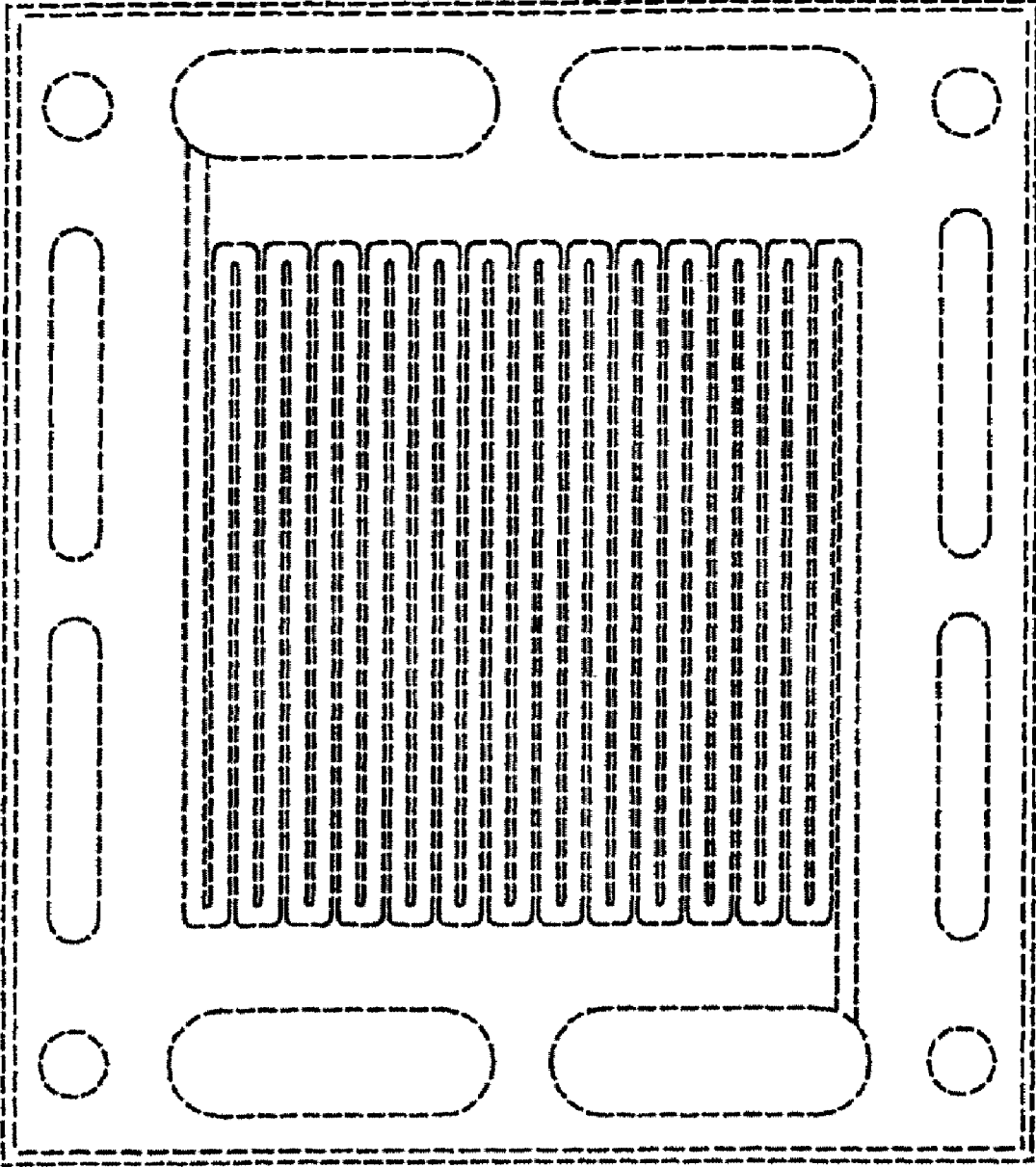


FIG. 4



FIG. 5



FIG. 6



FIG. 7

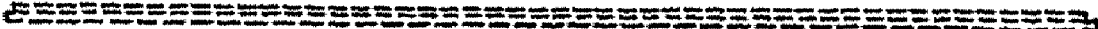


FIG. 8

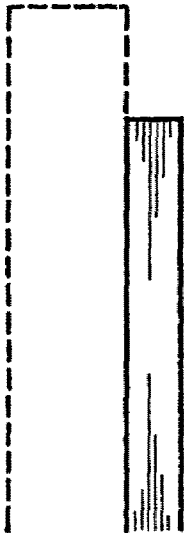


FIG. 9

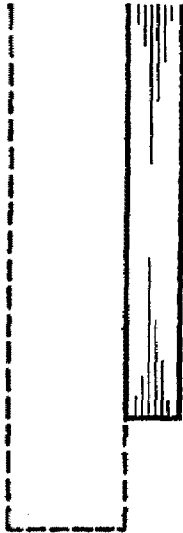


FIG. 10

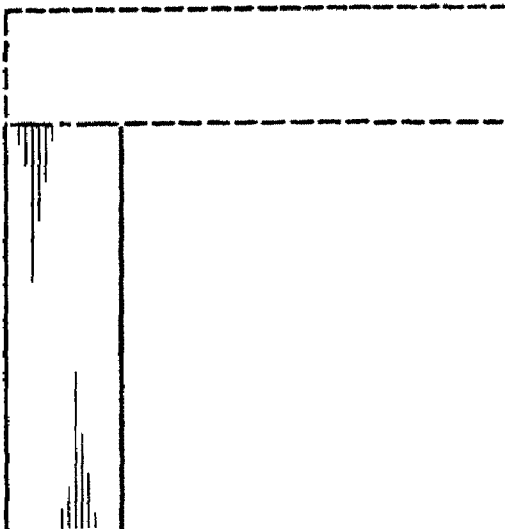


FIG. 11

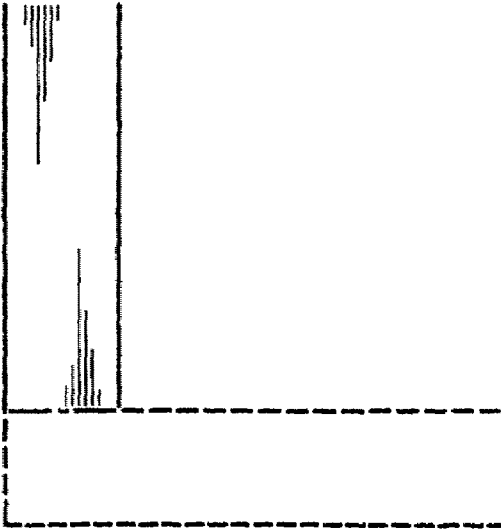


FIG. 12

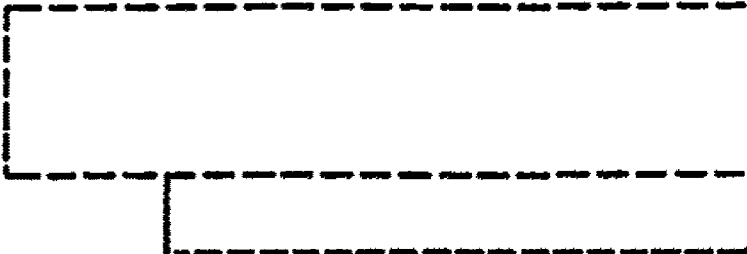


FIG. 13

