



US00D612806S

(12) **United States Design Patent**
Yasumoto et al.

(10) **Patent No.:** **US D612,806 S**
(45) **Date of Patent:** **** Mar. 30, 2010**

(54) **SEPARATOR FOR FUEL CELL**

FOREIGN PATENT DOCUMENTS

(75) Inventors: **Eiichi Yasumoto**, Kyoto (JP); **Hiroki Kusakabe**, Osaka (JP); **Hideo Ohara**, Osaka (JP)

JP 9-134734 A 5/1997

(Continued)

(73) Assignee: **Panasonic Corporation**, Kadoma-shi (JP)

OTHER PUBLICATIONS

Notice of Allowance dated Mar. 23, 2009, issued in corresponding sister U.S. Appl. No. 29/328,247, filed Nov. 20, 2008.

(**) Term: **14 Years**

Primary Examiner—Prabhakar Deshmukh
Assistant Examiner—Derrick Holland

(21) Appl. No.: **29/328,245**

(74) *Attorney, Agent, or Firm*—Christensen O'Connor Johnson Kindness PLLC

(22) Filed: **Nov. 20, 2008**

(57) **CLAIM**

Related U.S. Application Data

The ornamental design for a separator for fuel cell, as shown and described.

(62) Division of application No. 29/217,510, filed on Nov. 17, 2004, now Pat. No. Des. 586,746.

Foreign Application Priority Data

DESCRIPTION

Jul. 1, 2004	(JP)	2004-019828
Jul. 1, 2004	(JP)	2004-019829
Jul. 1, 2004	(JP)	2004-019830
Jul. 1, 2004	(JP)	2004-019831

FIG. 1 is a perspective view of the top, front, and left side of a separator for fuel cell showing our new design;

FIG. 2 is a front view thereof;

FIG. 3 is a rear view thereof;

FIG. 4 is a left side view thereof;

FIG. 5 is a right side view thereof;

FIG. 6 is a top plan view thereof;

FIG. 7 is a bottom view thereof;

FIG. 8 is a partially enlarged view of the upper end portion of the left side view thereof;

FIG. 9 is a partially enlarged view of the lower end portion of the left side view thereof;

FIG. 10 is a partially enlarged view of the left end portion of the top plan view thereof; and,

FIG. 11 is a partially enlarged view of the left end portion of the bottom view thereof.

(51) **LOC (9) Cl.** **13-01**

(52) **U.S. Cl.** **D13/122**

(58) **Field of Classification Search** D13/122, D13/101, 103, 118, 199; D6/300, 302, 310, D6/312; D8/350-353; D25/102, 113, 118, D25/136, 137; D26/72, 138, 142, 143, 144; 40/124.191, 700, 743, 769; 52/287.1, 288.1; 204/242, 254, 257; 429/14, 16, 19, 26, 34-39, 429/40, 99, 100; 439/215, 216

See application file for complete search history.

(56) **References Cited**

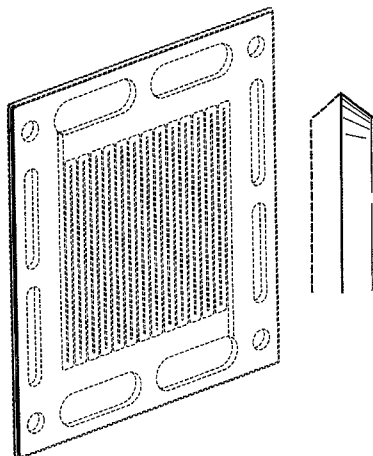
U.S. PATENT DOCUMENTS

3,121,525 A	2/1964	Hayes
3,262,083 A	7/1966	Gooding
4,002,493 A	1/1977	Warszawski

The portions of the article in broken lines are shown for illustrative purposes only and form no part of the claimed design.

(Continued)

1 Claim, 6 Drawing Sheets



US D612,806 S

Page 2

U.S. PATENT DOCUMENTS

D244,003	S	*	4/1977	Grieb	D8/350		
4,109,434	A		8/1978	Katzin				
4,214,969	A		7/1980	Lawrance				
4,895,774	A		1/1990	Ohzu				
D312,923	S	*	12/1990	Bleazard	D6/300		
5,045,413	A		9/1991	Marianowski				
D324,780	S	*	3/1992	Sebesta	D6/303		
5,108,849	A		4/1992	Watkins				
D367,717	S		3/1996	Prins				
D373,203	S		8/1996	Kornfalt				
5,563,003	A		10/1996	Suzuki				
5,776,624	A		7/1998	Neutzler				
5,798,187	A	*	8/1998	Wilson et al.	429/26		
D414,976	S		10/1999	Su				
D431,524	S		10/2000	Sugita				
D432,495	S		10/2000	Sugita				
6,132,895	A	*	10/2000	Pratt et al.	429/39		
D438,988	S		3/2001	Dean, Jr.				
6,216,406	B1		4/2001	Hauser				
6,232,010	B1	*	5/2001	Cisar et al.	429/40		
D453,880	S		2/2002	Cheyne				
D454,215	S		3/2002	Nelson				
6,379,795	B1		4/2002	Bisaria				
6,403,249	B1		6/2002	Reid				
6,607,857	B2		8/2003	Blunk				

FOREIGN PATENT DOCUMENTS

JP 2000-48849 A 2/2000

* cited by examiner

FIG. 1

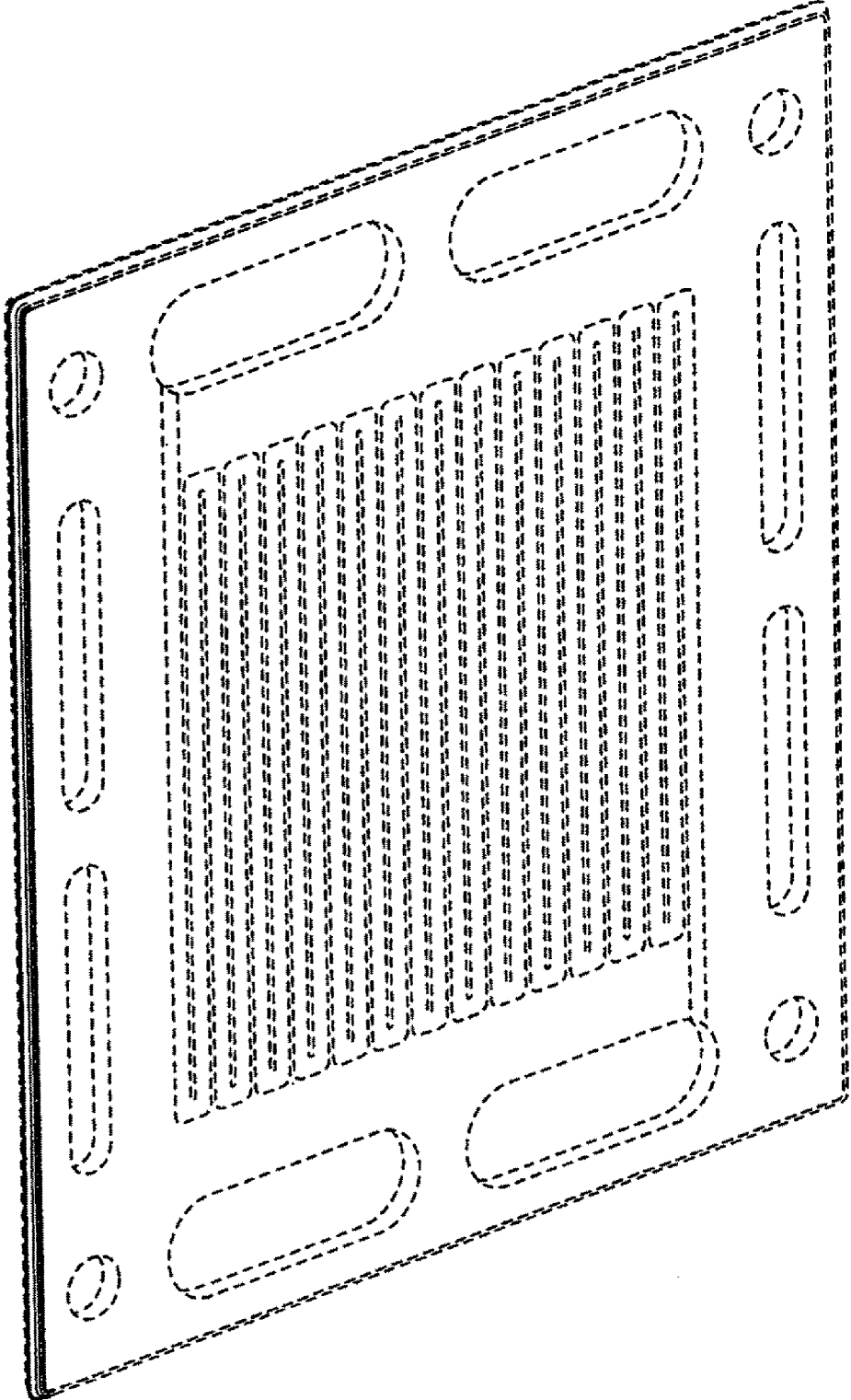


FIG. 2

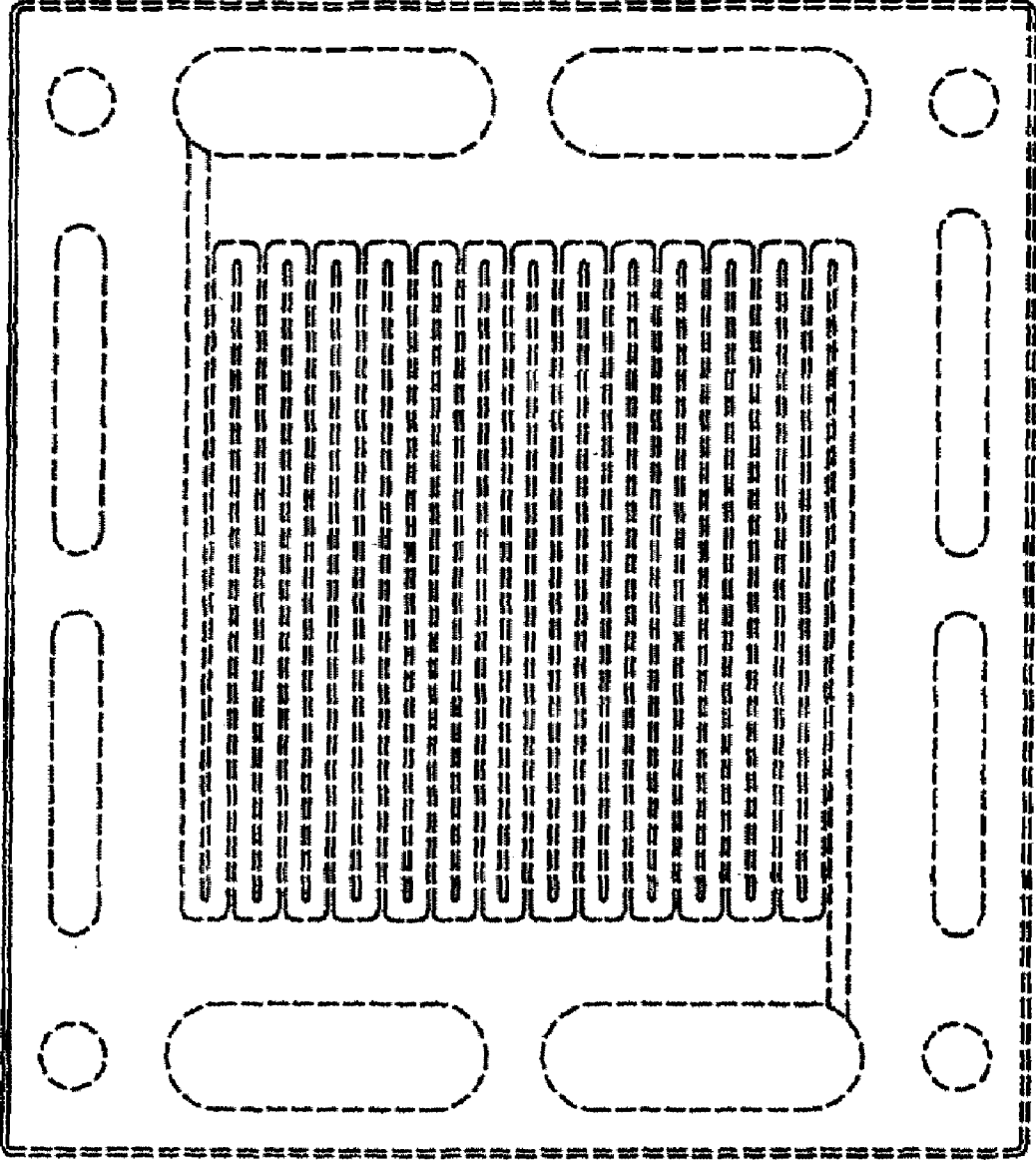


FIG. 3

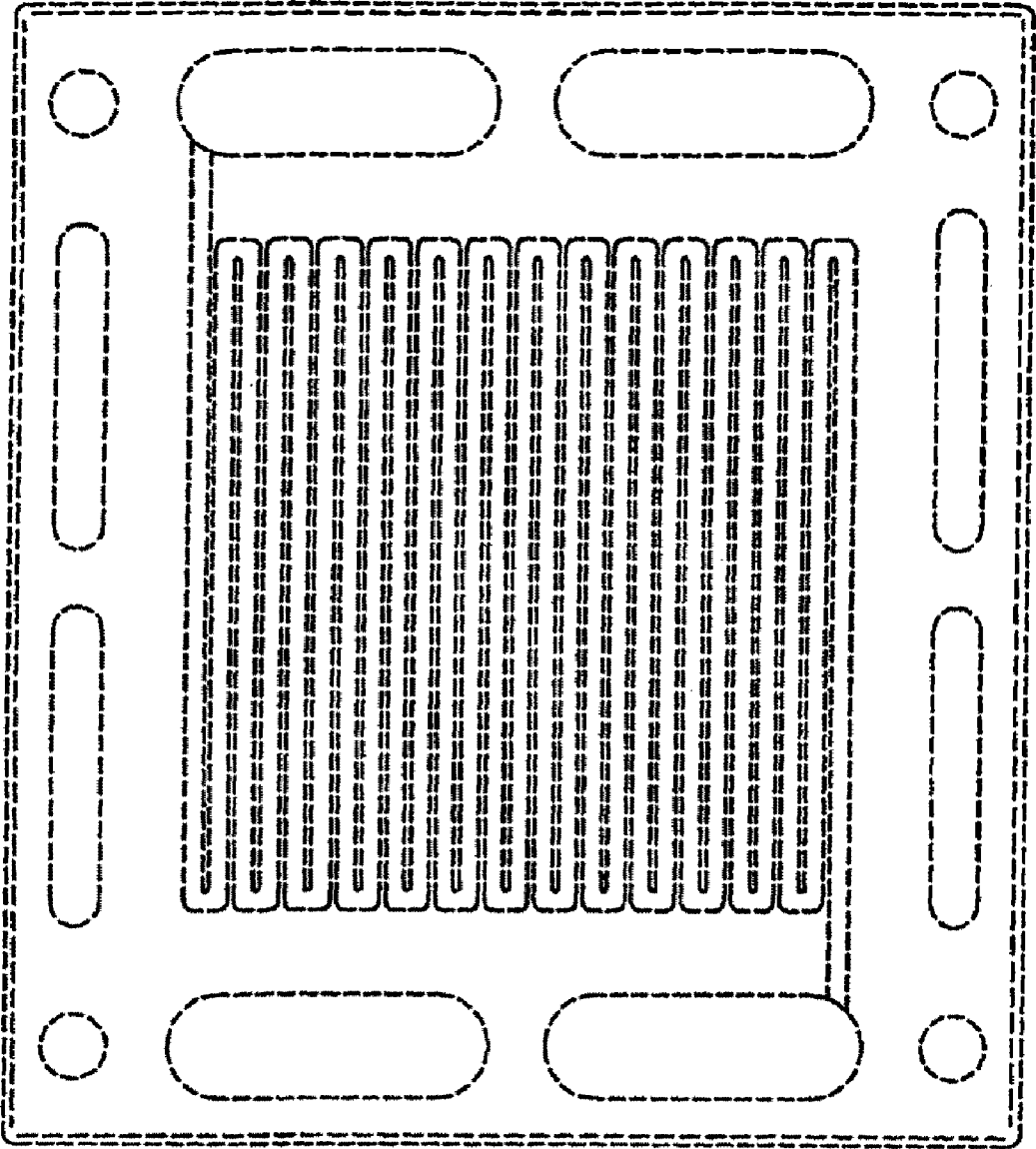


FIG. 4



FIG. 5



FIG. 6



FIG. 7



FIG. 8

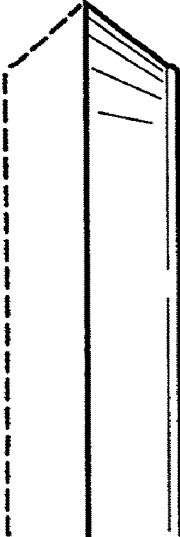


FIG. 9

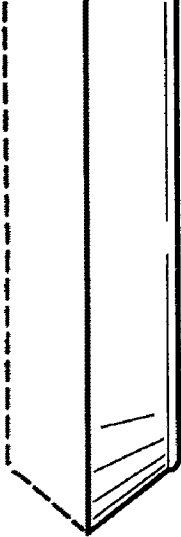


FIG. 10

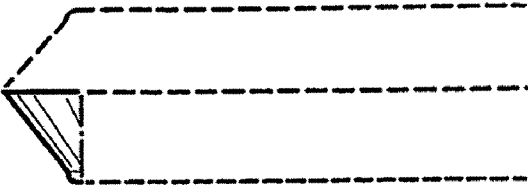


FIG. 11

