



US00D621756S

(12) **United States Design Patent**  
**Angelo et al.**

(10) **Patent No.:** **US D621,756 S**

(45) **Date of Patent:** **\*\* \*Aug. 17, 2010**

(54) **TRUCK REAR FENDER PANEL**

(74) *Attorney, Agent, or Firm*—Christensen O'Connor Johnson Kindness PLLC

(75) Inventors: **Gerald J. Angelo**, Bellevue, WA (US);  
**Nicholas Karol Hanculak**, Woodinville, WA (US)

(57) **CLAIM**

(73) Assignee: **PACCAR Inc**, Bellevue, WA (US)

The ornamental design for a truck rear fender panel, as shown as described.

(\*\*) Term: **14 Years**

(21) Appl. No.: **29/346,944**

**DESCRIPTION**

(22) Filed: **Nov. 9, 2009**

(51) **LOC (9) Cl.** ..... **12-16**

(52) **U.S. Cl.** ..... **D12/184; D12/196**

(58) **Field of Classification Search** ..... D12/184,  
D12/196, 90–92, 93–97, 181; 280/152.1,  
280/847–849, 851; 296/181.1, 181.5

See application file for complete search history.

FIG. 1 is a perspective view of a truck rear fender panel showing our new design, the second embodiment of the truck rear fender panel for use on the opposite side of a truck is a mirror image that is not presently illustrated;

FIG. 2 is a top plan view of the truck rear fender panel of FIG. 1;

FIG. 3 is a bottom plan view of the truck rear fender panel of FIG. 1;

FIG. 4 is a front elevational view of the truck rear fender panel of FIG. 1;

FIG. 5 is a rear elevational view of the truck rear fender panel of FIG. 1;

FIG. 6 is a left side elevational view of the truck rear fender panel of FIG. 1; and,

FIG. 7 is a right side elevational view of the truck rear fender panel of FIG. 1.

The broken line showing of a wheel, portion of truck hood, portion of truck fender, and portion of truck cab is for the purpose of illustrating environmental structure and forms not part of the claimed design.

The truck rear fender panel shown in FIGS. 1-7 illustrates a first embodiment of our novel design suitable for use on the driver's side of a truck. Our novel design also includes a second embodiment suitable for use on the passenger's side of the truck, which is mirror symmetrical to FIGS. 1-7, and, therefore, not separately illustrated.

(56) **References Cited**

**U.S. PATENT DOCUMENTS**

D50,345 S	2/1917	Green
D50,346 S	2/1917	Green
D366,638 S	1/1996	Tucker
D366,640 S	1/1996	Tucker
D382,841 S	8/1997	Norwood
D382,844 S	8/1997	Norwood
D395,860 S	7/1998	Meryman
D403,636 S	1/1999	Meryman
D403,639 S	1/1999	Gale
D411,494 S	6/1999	Meryman
D412,689 S	8/1999	Onopa
D422,251 S	4/2000	Bader

(Continued)

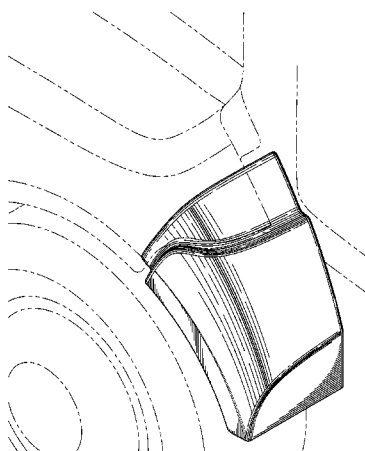
**OTHER PUBLICATIONS**

"T800," Kenworth Truck Company, Kirkland, Washington, 2003, 32-page brochure.

(Continued)

*Primary Examiner*—Melody N Brown

**1 Claim, 6 Drawing Sheets**



U.S. PATENT DOCUMENTS

D431,806	S	10/2000	Damon	
D433,980	S	11/2000	Conway	
D434,358	S	11/2000	Conway	
D450,277	S	11/2001	Onopa	
D482,993	S *	12/2003	Conway et al.	D12/184
D488,112	S	4/2004	Satou	
D490,749	S	6/2004	Satou	
D491,858	S	6/2004	Velazco	
D492,921	S	7/2004	Perfetti	
D502,904	S	3/2005	Delashaw	
D511,727	S	11/2005	Shaw	
D524,202	S *	7/2006	Devitt	D12/184
D524,204	S *	7/2006	Beigel	D12/184
D540,727	S	4/2007	Elliott	
D545,253	S *	6/2007	Jones	D12/184
D545,255	S *	6/2007	Angelo et al.	D12/184
D549,624	S *	8/2007	Jones	D12/184
D560,575	S	1/2008	Simons	
D560,582	S	1/2008	Simons	
D560,583	S *	1/2008	Simons et al.	D12/196
D563,281	S	3/2008	Simons	
D563,850	S	3/2008	Rosen	
D563,851	S	3/2008	Rosen	
D563,853	S *	3/2008	Rosen et al.	D12/184
D566,635	S *	4/2008	Rosen et al.	D12/184
D571,696	S *	6/2008	Rosen et al.	D12/173

OTHER PUBLICATIONS

“T800,” Kenworth Truck Company, Kirkland, Washington, 2005, 28-page brochure.  
 “T800B,” Kenworth Truck Company, Kirkland, Washington, 1993, 8-page brochure.  
 “The Working Class,” Peterbilt Motors Company, Newark, California, Sep. 1976, 6-page brochure.  
 “The World’s Best,” Kenworth Truck Company, Kirkland, Washington, 1992, 12-page brochure.  
 “Unibilt™ Cab Sleeper System,” Peterbilt Motors Company, Denton Texas, Aug. 1994, 6-page brochure.  
 “W900,” Kenworth Truck Company, Kirkland, Washington, 1996, 7-page brochure.  
 “W900,” Kenworth Truck Company, Kirkland, Washington, 2002, 32-page brochure.  
 “W900,” Kenworth Truck Company, Kirkland, Washington, 2005, 28-page brochure.  
 “W900L Aero Cab,” Kenworth Truck Company, Kirkland, Washington, 1994, 2-page brochure.  
 “AeroCab,” Kenworth Truck Company, Kirkland, Washington, 1993, 6-page brochure.  
 “AeroCab,” Kenworth Truck Company, Kirkland, Washington, as early as 1995, 3-page brochure.  
 “C500B,” Kenworth Truck Company, Kirkland, Washington, as early as 1990, 4-page brochure.  
 “Cabovers,” Peterbilt Motors Company, Newark, California, as early as 2000, 7-page brochure.  
 “Class Pays,” Peterbilt Motors Company, Denton, Texas, Sep. 1997, 10-page brochure.  
 “Class Pays,” Peterbilt Motors Company, Denton, Texas, Nov. 1998, 10 page brochure.  
 “Class Pays, Construction Trucks,” Peterbilt Motors Company, Denton, Texas, Nov. 2003, 16-page brochure.  
 “Class Pays, Ergonomic Dash,” Peterbilt Motors Company, Denton, Texas, Mar. 2000, 2-page brochure.  
 “Class Pays, Medium Duty,” Peterbilt Motors Company, Denton, Texas, Sep. 2000, 12-page brochure.  
 “Class Pays, Platinum Interior,” Peterbilt Motors Company, Denton, Texas, May 2005, 4-page brochure.  
 “Class Pays, Refuse Trucks,” Peterbilt Motors Company, Denton, Texas, Sep. 2003, 2-page brochure.  
 “Class Pays, Truck Models,” Peterbilt Motors Company, Denton, Texas, Mar. 2005, 24-page brochure.

“Construction Trucks,” Canadian Kenworth Truck, Mississauga, Ontario, Canada, Jul. 1990, 16-page brochure.  
 “Interiors,” Kenworth Truck Company, Kirkland, Washington, 2005, 16-page brochure.  
 “K100E,” Kenworth Truck Company, Kirkland, Washington, 1984, 8-page brochure.  
 “Model 320,” Peterbilt Motors Company, Denton, Texas, May 1996, 2-page brochure.  
 “Model 330,” Peterbilt Motors Company, Denton, Texas, Oct. 1997, 3-page brochure.  
 “Model 357,” Peterbilt Motors Company, Denton, Texas, May 1994, 3-page brochure.  
 “Model 357 Heavy Haul,” Peterbilt Motors Company, Denton, Texas, Mar. 2005, 2-page brochure.  
 “Model 357, New Sloped Hood,” Peterbilt Motors Company, Denton, Texas, May 2002, 2-page brochure.  
 “Model 357 Standard Specifications,” Peterbilt Motors Company, Newark, California, Sep. 1986, 6-page brochure.  
 “Model 357-115,” Peterbilt Motors Company, Denton, Texas, Mar. 2005, 2-page brochure.  
 “Model 362,” Peterbilt Motors Company, Newark, California, 1985, 8-page brochure.  
 “Model 375 Standard Specifications,” Peterbilt Motors Company, Newark, California, Sep. 1986, 6-page brochure.  
 “Model 377A/E,” Peterbilt Motors Company, Denton, Texas, Jan. 1995, 6-page brochure.  
 “Model 377A/E,” Peterbilt Motors Company, Denton, Texas, Aug. 1997, 2-page brochure.  
 “Model 378,” Peterbilt Motors Company, Denton, Texas, Mar. 1998, 3-page brochure.  
 “Model 379,” Peterbilt Motors Company, Denton, Texas, Mar. 1996, 5-page brochure.  
 “Model 379,” Peterbilt Motors Company, Denton, Texas, Apr. 2005, 2-page brochure.  
 “Model 385,” Peterbilt Motors Company, Denton, Texas, Oct. 1996, 5-page brochure.  
 “Model 387,” Peterbilt Motors Company, Denton, Texas, Oct. 2002, 2-page brochure.  
 “Peterbilt Parts & Accessories,” Peterbilt Motors Company, Denton, Texas, catalog, as early as 2000, 52-page brochure.  
 “Rest with Class,” Peterbilt Motors Company, Newark, California, Apr. 1978, 4-page brochure.  
 “Studio Sleeper,” Kenworth Truck Company, Kirkland, Washington, 1993, 5-page brochure.  
 “T2000,” Kenworth Truck Company, Kirkland, Washington, 1999, 20-page brochure.  
 “T2000,” Kenworth Truck Company, Kirkland, Washington, 2002, 20-page brochure.  
 “T2000,” Kenworth Truck Company, Kirkland, Washington, 2005, 20-page brochure.  
 “T300,” Kenworth Truck Company, Kirkland, Washington, 1994, 4-page brochure.  
 “T300,” Kenworth Truck Company, Kirkland, Washington, 1997, 5-page brochure.  
 “T300,” Kenworth Truck Company, Kirkland, Washington, 2001, 16-page brochure.  
 “T300,” Kenworth Truck Company, Kirkland, Washington, 2005, 16-page brochure.  
 “T400B and T450B,” Kenworth Truck Company, Kirkland, Washington, 1992, 10-page brochure.  
 “T600,” Kenworth Truck Company, Kirkland, Washington, 1996, 7-page brochure.  
 “T600,” Kenworth Truck Company, Kirkland, Washington, 2002, 28-page brochure.  
 “T600,” Kenworth Truck Company, Kirkland, Washington, 2005, 24-page brochure.  
 “T600, Ten Years of Innovation,” Kenworth Truck Company, Kirkland, Washington, 1995, 6-page brochure.  
 “T600A,” Kenworth Truck Company, Kirkland, Washington, 1985, 10-page brochure.  
 “T660,” Kenworth Truck Company, Kirkland, Washington, 2007, 36-page brochure.

## US D621,756 S

Page 3

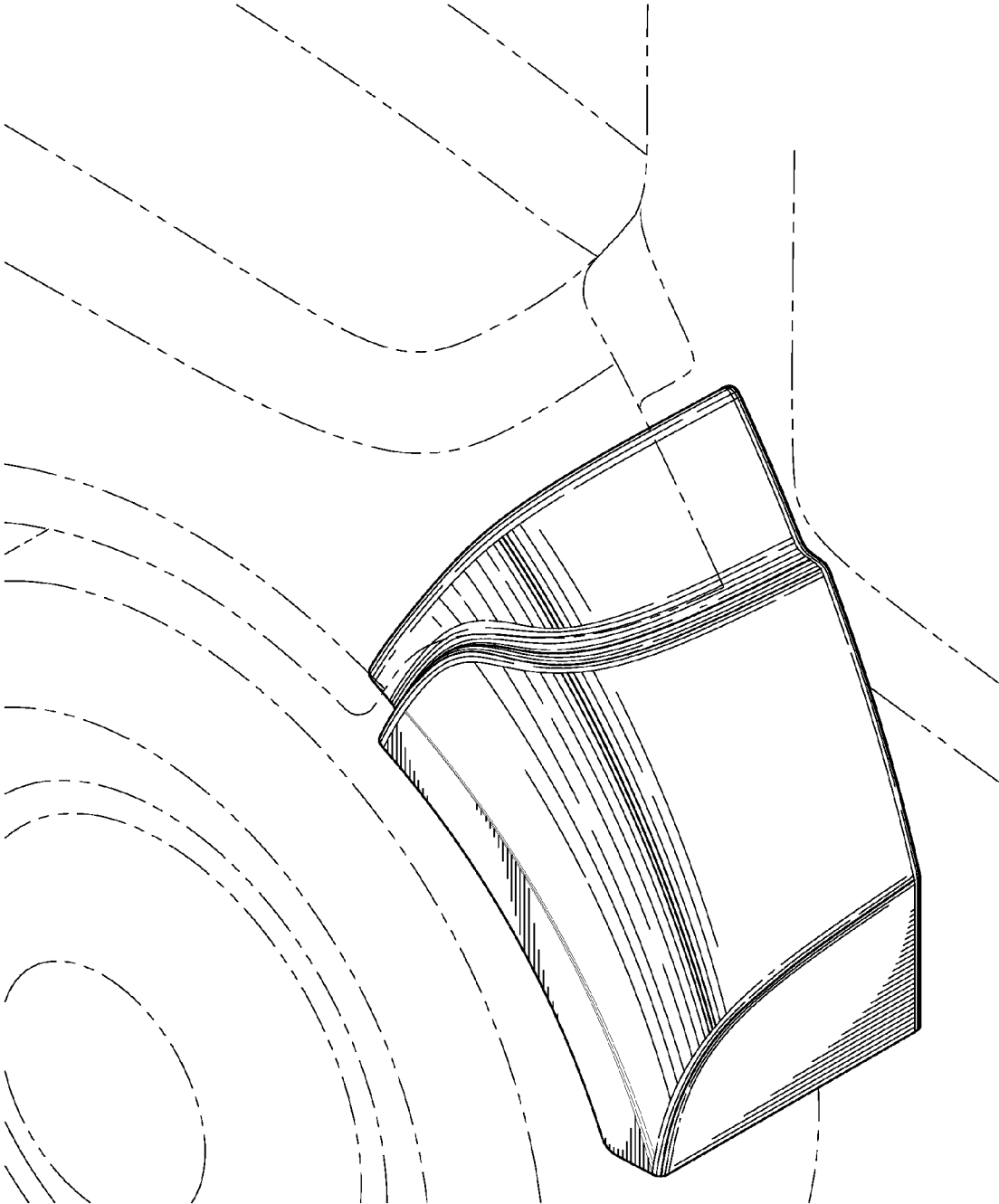
---

"T800," Kenworth Truck Company, Kirkland, Washington, 1996,  
7-page brochure.

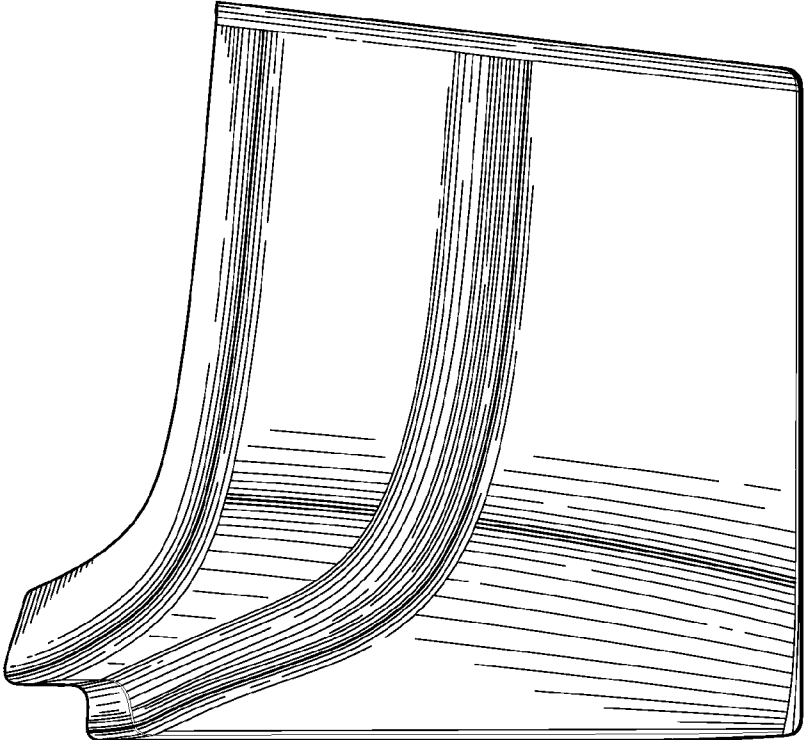
"T800," Kenworth Truck Company, Kirkland, Washington, 2002,  
32-page brochure.

"T270 Class 6 and T370 Class 7," Kenworth Truck Company,  
Kirkland, Washington, 2008, 6-page brochure.

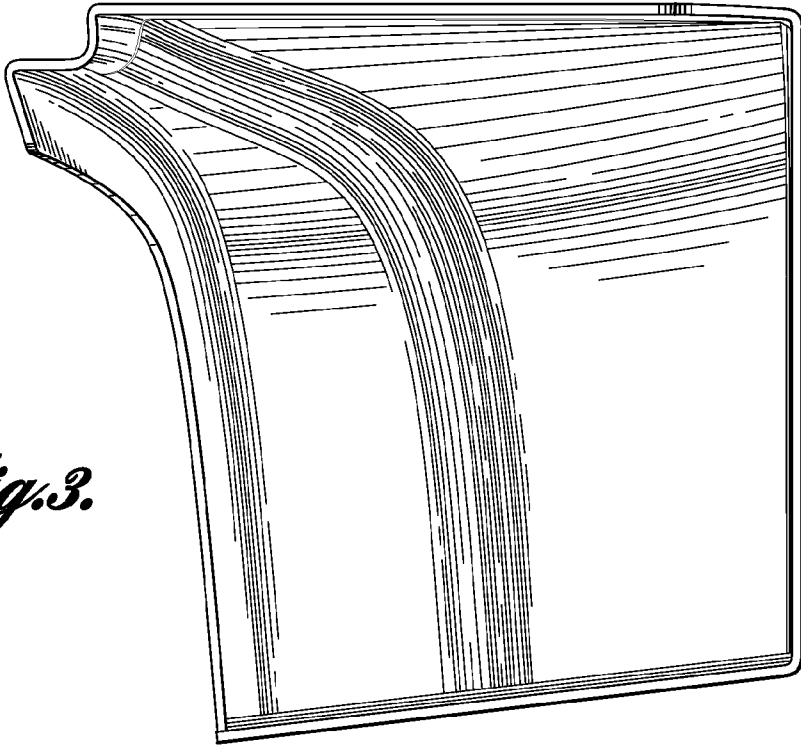
\* cited by examiner



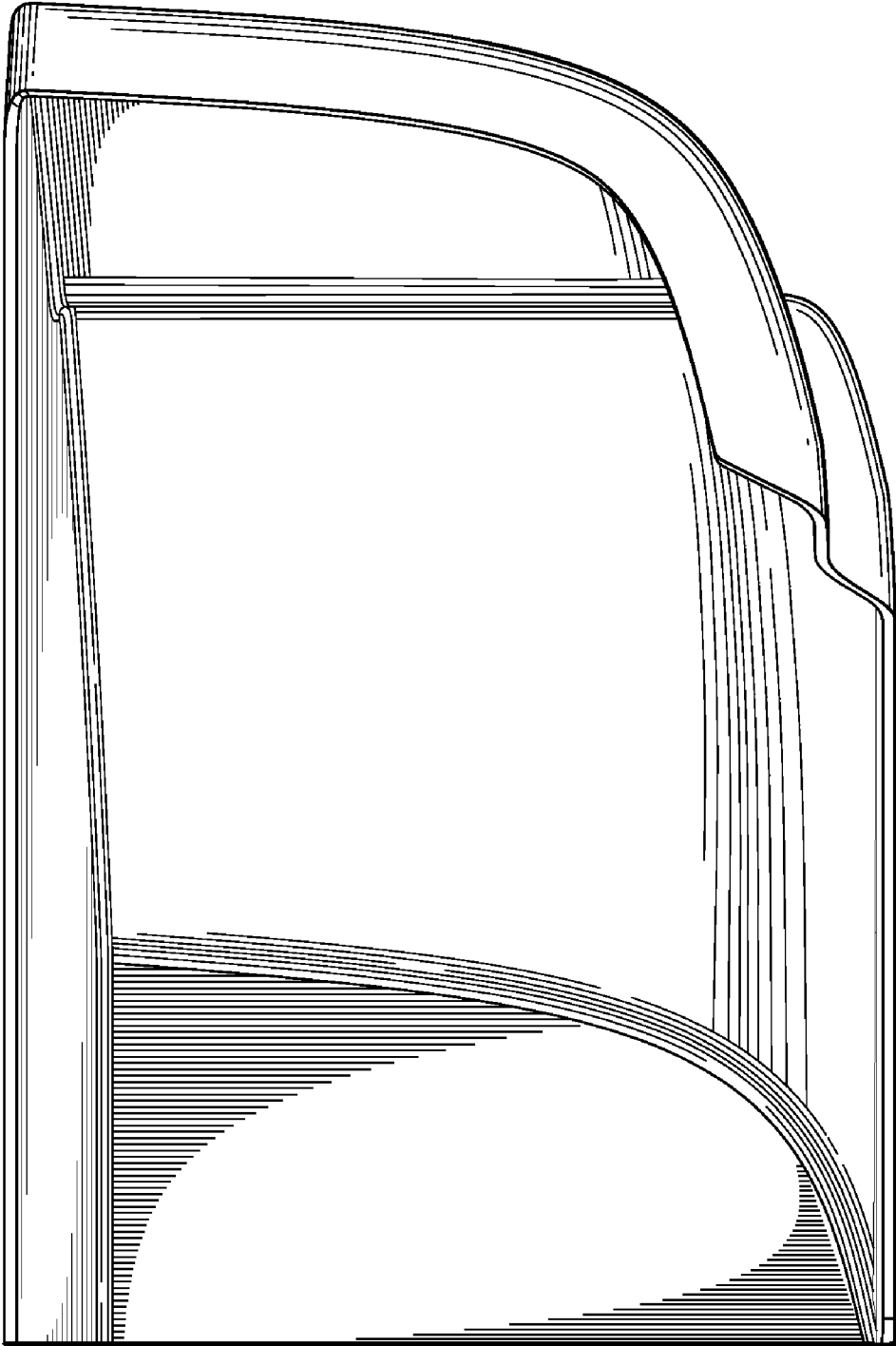
*Fig. 1.*



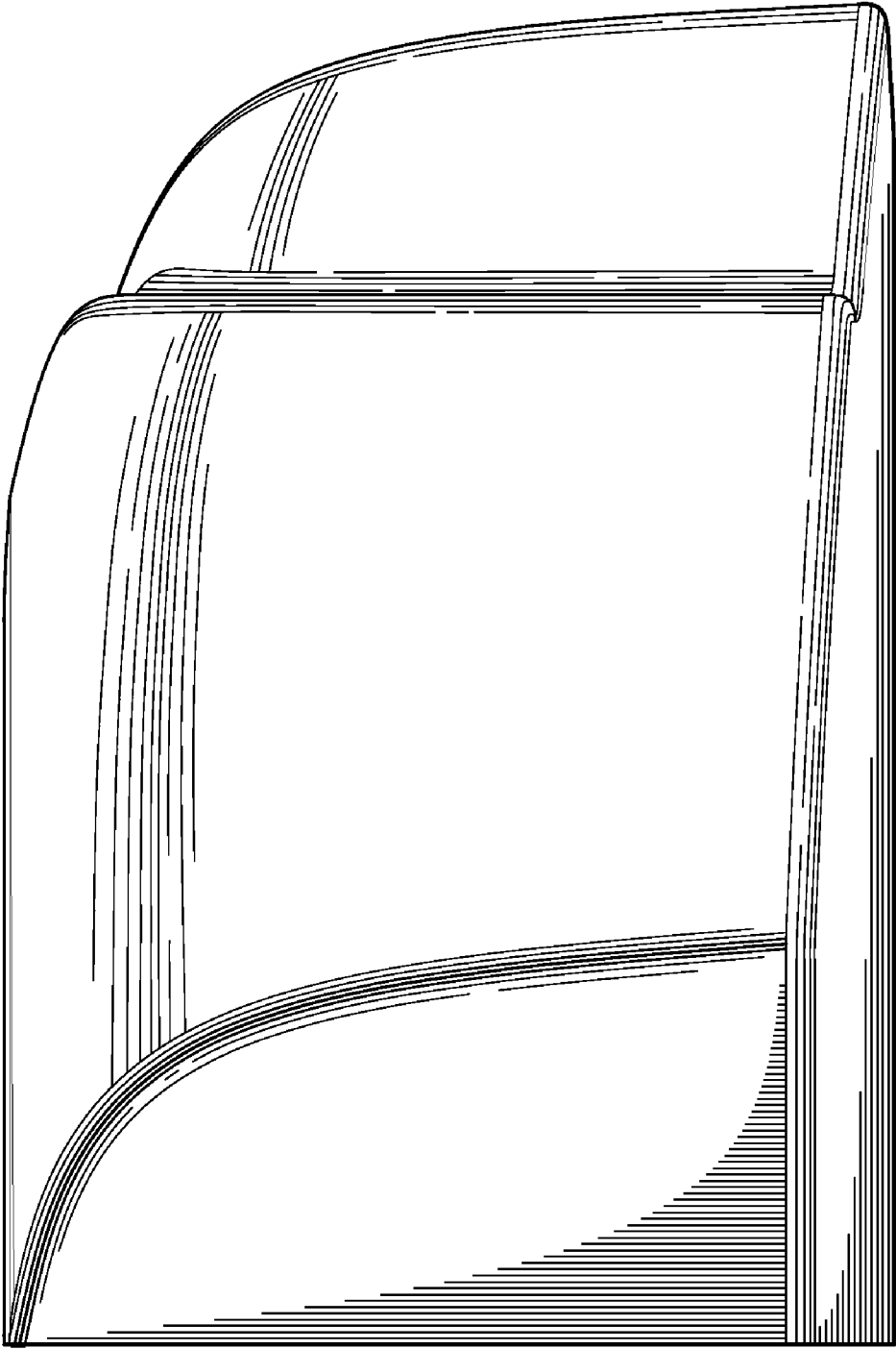
*Fig. 2.*



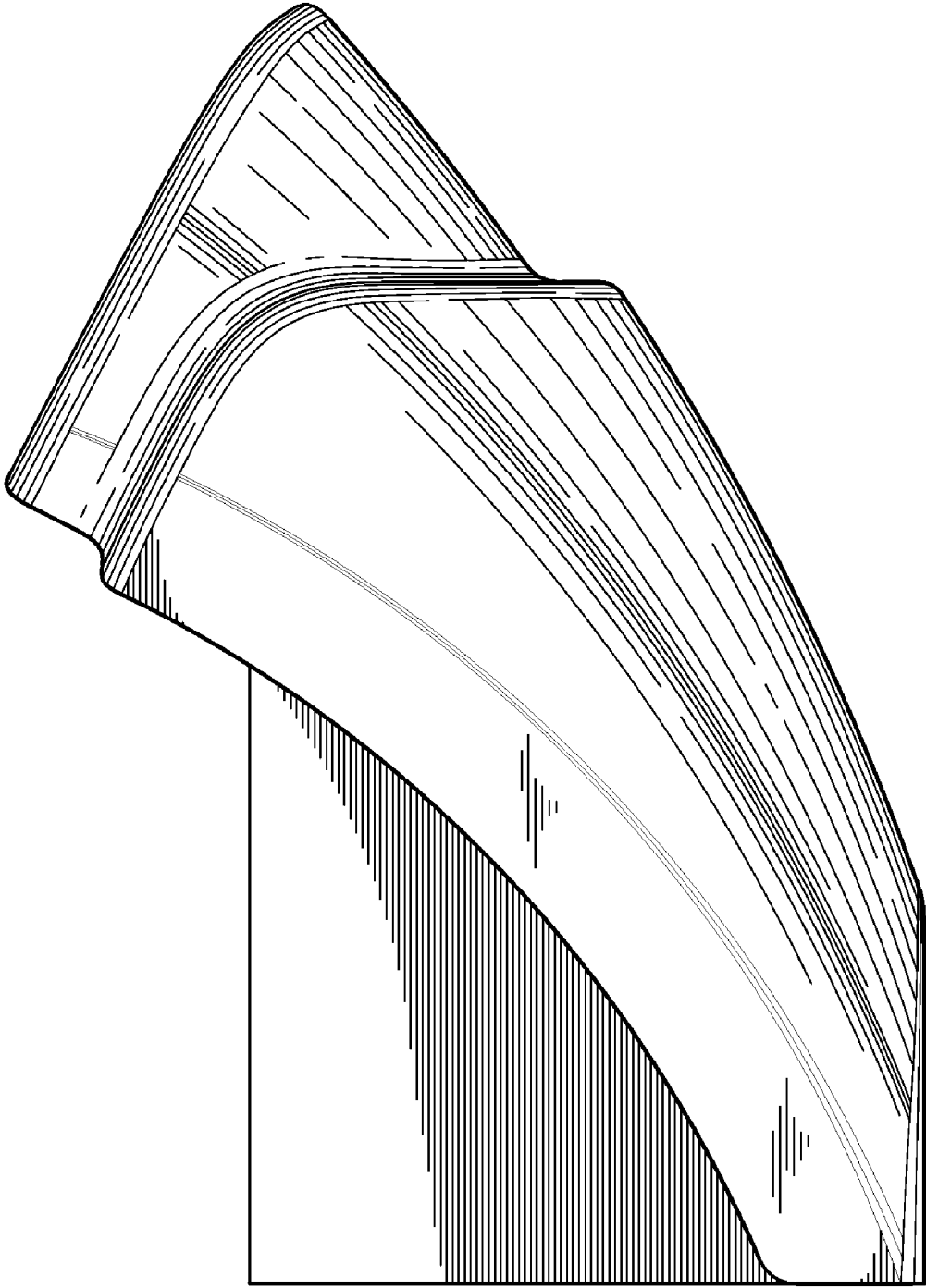
*Fig. 3.*



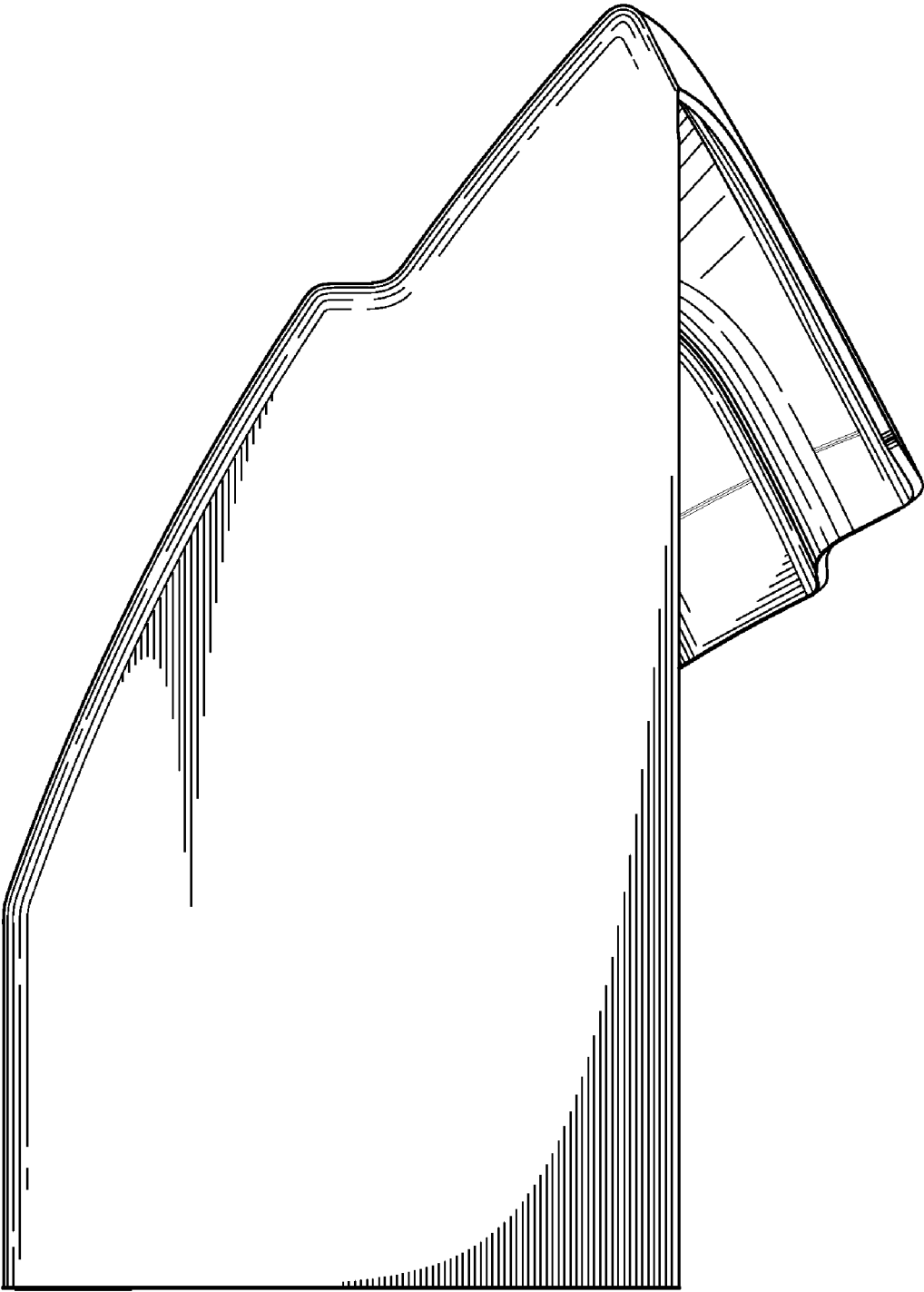
*Fig. 4.*



*Fig. 5.*



*Fig. 6.*



*Fig. 7.*